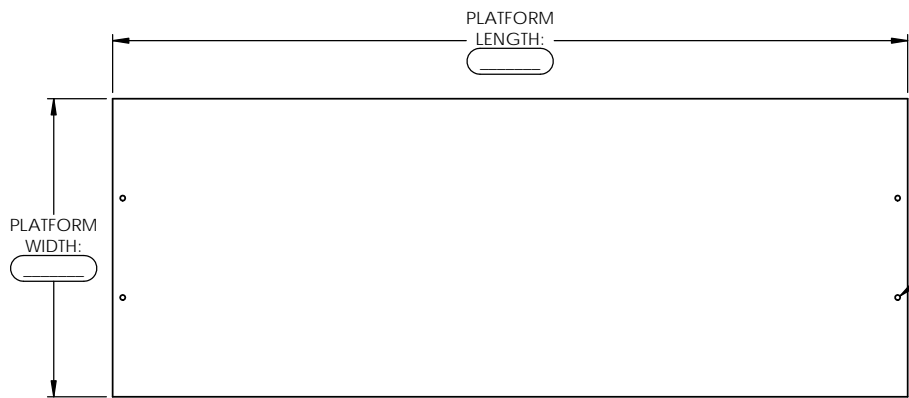
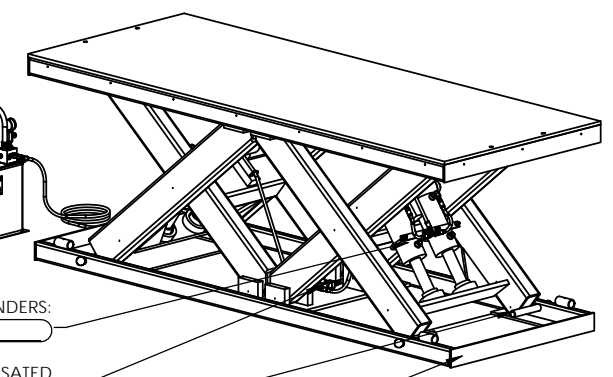


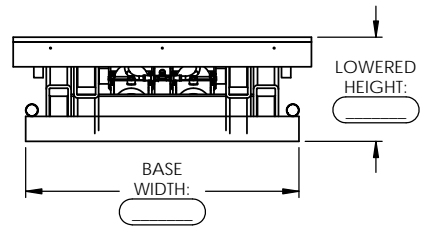
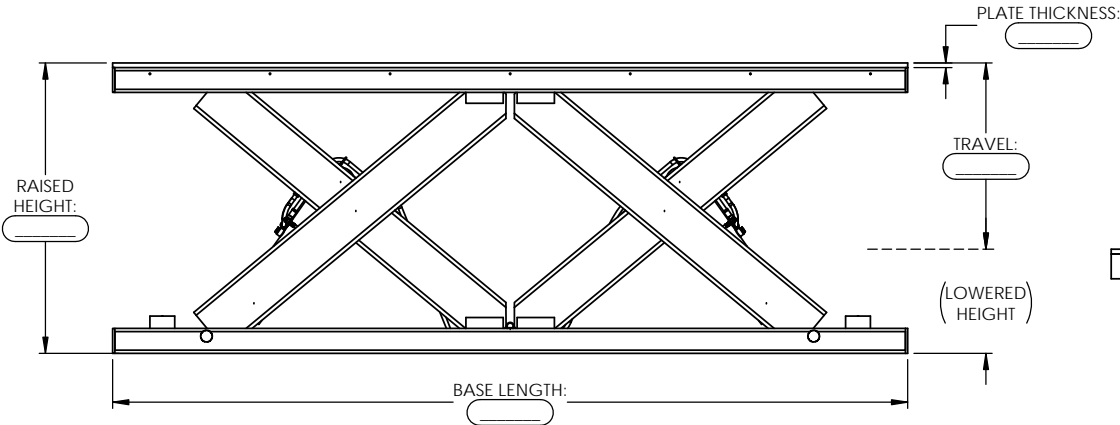
PART #: LSH18X-XXX-XX-XXXXX



OPERATING INSTRUCTIONS
EXTERNAL POWER UNIT
MOUNTING HOLE
9/16" - QTY 4



NUMBER OF CYLINDERS:
PRESSURE COMPENSATED
FLOW CONTROL VALVE - QTY 1
EXTERNAL MAINTENANCE STOP PIN - QTY 4
SYSTEM MUST BE ANCHORED
INTERNAL MOUNTING HOLE
13/16" - QTY 4



SPECIFICATIONS - STANDARD

CAPACITY: 5,000 - 20,000 LBS
ALL LOADS MUST BE EVENLY
DISTRIBUTED, LIFT MAY NOT
RAISED TO FULL HEIGHT WITH
MAXIMUM CAPACITY LOAD

THE NEED FOR SAFETY DEVICES VARIES WITH EACH APPLICATION OF THIS PRODUCT. THIS DRAWING MAY NOT INCLUDE ALL APPROPRIATE SAFETY DEVICES FOR YOUR APPLICATION.
CONFIDENTIAL
THE INFORMATION CONTAINED ON THIS DRAWING IS BOTH CONFIDENTIAL AND PROPRIETARY. IT IS THE SOLE PROPERTY OF HERKULES EQUIPMENT CORPORATION. ANY REPRODUCTION IN PART OR AS A WHOLE WITHOUT THE WRITTEN PERMISSION OF HERKULES EQUIPMENT CORPORATION IS PROHIBITED AND MAY BE UNLAWFUL.

TOLERANCES
UNLESS OTHERWISE NOTED
X ± .250
.XX ± .125
.XXX ± 0.030
.XXXX ± 0.0050
ANGLE ± 1°



DESCRIPTION: LIFT SCISSOR HYDRAULIC

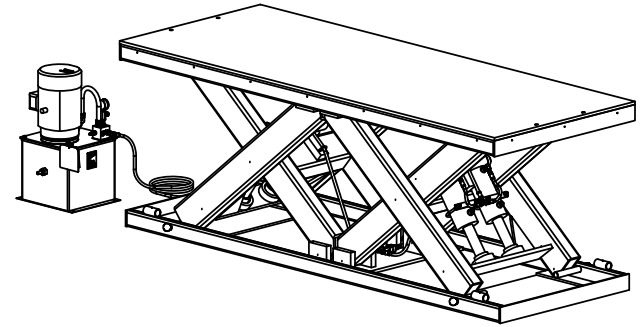
| | | | | | |
|---------------|-------------------------------|---------|----------|------|---------------|
| DRN: TEP | PART NO.: LSH18X-XXX-XX-XXXXX | CHD BY: | DWG NO.: | REV: | SHEET: 1 of 2 |
| DATE: 5-22-18 | | | | | |

PART #: LSH18X-XXX-XX-XXXX

NOTES:

1. LIFT SYSTEM TYPE:
HYDRAULIC SCISSOR LIFT SYSTEM - ELECTRIC
2. HYDRAULIC POWER UNIT:
UP: POWER
DOWN: GRAVITY (24 VDC SOLENOID)
MANUAL RELEASE: NOT INCLUDED
3. CONTROLLER: OPTIONAL
4. CONTROLLER MOUNT: OPTIONAL
5. CONTROLLER HOSE: 6 FEET
6. CONTROLLER CABLE: OPTIONAL
7. SKIRT:
OPTIONAL
(ADD 3-1/2 INCHES PER SIDE TO BASE
OF LIFT DIMENSIONS FOR SKIRTING)
8. COLOR:
LIFT: HERKULES SAFETY ORANGE
SCISSORS: HERKULES SAFETY WHITE
CONTROLLER: OPTIONAL
9. SAFETY FEATURES:
EXTERNAL MAINTENANCE STOP PIN - QTY 4
PRESSURE COMPENSATED FLOW CONTROL VALVE - QTY 1
10. WEIGHT: 5,830 LBS (APPROXIMATE)
11. CYCLE SPEED:
AVERAGE SPEED: CUSTOMER DEFINED
SPEED UP: CUSTOMER DEFINED
SPEED DOWN: CUSTOMER DEFINED
12. DUTY CYCLE:
SHIFTS / DAY: CUSTOMER DEFINED
HOURS / SHIFT: CUSTOMER DEFINED
DAYS / WEEK: CUSTOMER DEFINED
CYCLES / DAY: CUSTOMER DEFINED
WEEKS / YEAR: CUSTOMER DEFINED
CYCLES / YEAR: CUSTOMER DEFINED
13. OTHER:
 - a. E-STOP: INCLUDED
 - b. BREAKER BOX: OPTIONAL
 - c. MOTOR CONNECTOR PLUGS: OPTIONAL
 - b. FIELD WIRING: OPTIONAL
 - c. MOTOR CONNECTOR PLUGS: OPTIONAL
 - d. LIMIT SWITCHES: OPTIONAL

14. BEARINGS LUBED FOR LIFE.
15. TESTING PLAN: CYCLE TESTING WITH RATED LOAD FOR MINIMUM OF 10 CYCLES.
16. PROJECT TIMING IS SUBJECT TO DELIVERY OF PUMPS AND CYLINDERS. CONFIRMED DELIVERY DATE TO BE DETERMINED AFTER FINAL DESIGN APPROVAL.
17. THE LIFT IS A HYDRAULIC POWERED SYSTEM. WITH HIGH ANNUAL USAGE, THE HYDRAULIC SYSTEM WILL HAVE SOME SEEPAGE AND WILL REQUIRE REGULAR MAINTENANCE.



THE NEED FOR SAFETY DEVICES VARIES WITH EACH APPLICATION OF THIS PRODUCT. THIS DRAWING MAY NOT INCLUDE ALL APPROPRIATE SAFETY DEVICES FOR YOUR APPLICATION.

CONFIDENTIAL

THE INFORMATION CONTAINED ON THIS DRAWING IS BOTH CONFIDENTIAL AND PROPRIETARY. IT IS THE SOLE PROPERTY OF HERKULES EQUIPMENT CORPORATION. ANY REPRODUCTION IN PART OR AS A WHOLE WITHOUT THE WRITTEN PERMISSION OF HERKULES EQUIPMENT CORPORATION IS PROHIBITED AND MAY BE UNLAWFUL.

TOLERANCES
UNLESS OTHERWISE NOTED
X ± .250
.XX ± .125
.XXX ± 0.030
.XXXX ± 0.0050
ANGLE ± 1°


2760 RIDGEWAY COURT • WALLED LAKE, MI 48390-1662 • www.enkon.pro

DESCRIPTION: LIFT SCISSOR HYDRAULIC

DRN: TEP

PART NO.: LSH18X-XXX-XX-XXXX

DATE: 5-22-18

CHKD BY:

DWG NO.:

REV:

SHEET: 2 of 2