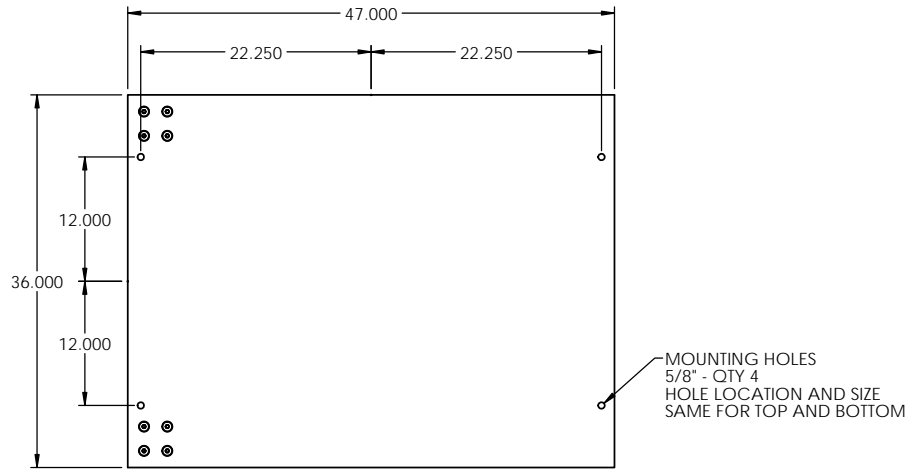
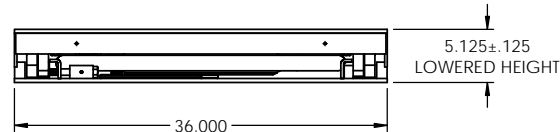
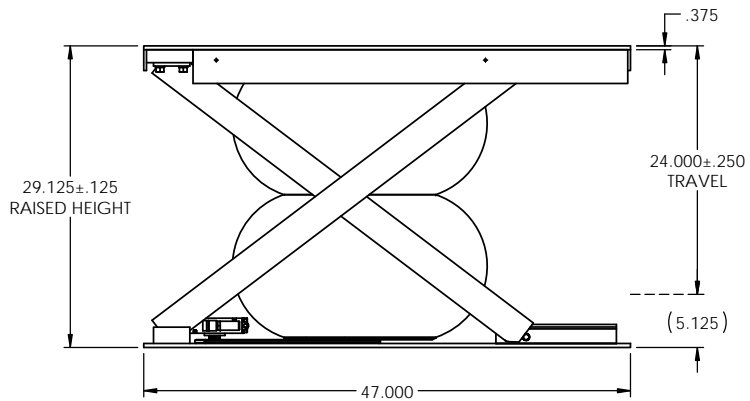
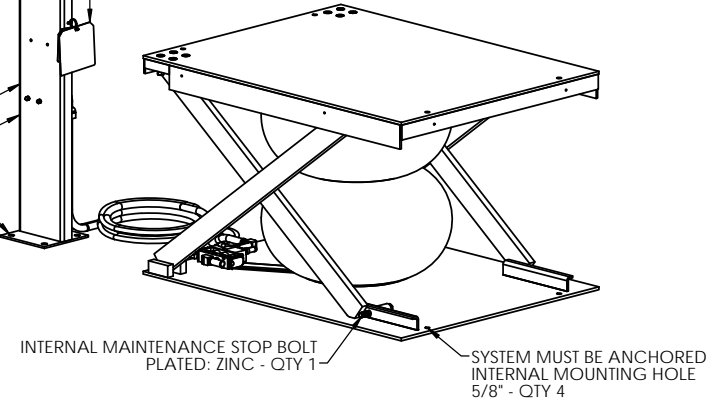


PART #: LSA37-XX-29-3647



OPERATING INSTRUCTIONS  
LIFT CONTROL  
UP/DOWN - SPRING RETURN  
AIR IN LOCATION

FILTER/REGULATOR - OPTIONAL  
LOCKOUT - OPTIONAL  
MOUNTING HOLE  
3/4" - QTY 4



**SPECIFICATIONS - STANDARD**

- CAPACITY:** 1,000 - 6,000 LBS  
ALL LOADS MUST BE EVENLY DISTRIBUTED  
LIFT MAY NOT RAISE TO FULL HEIGHT WITH MAXIMUM CAPACITY LOAD
- CONTROLLER:** HAND  
**CONTROLLER MOUNT:** PEDESTAL  
**INTERNAL VALVE:** PILOTED EXHAUST  
**AIR FEED LINE:** 1/2" MINIMUM  
**AIR PRESSURE:** 70 - 100 PSI  
**CONTROLLER HOSE:** 12 FEET  
**SKIRT:** OPTIONAL  
(ADD 3-1/2 INCHES PER SIDE TO BASE OF LIFT DIMENSIONS FOR SKIRTING)
- COLOR:** LIFT: HERKULES SAFETY ORANGE  
SCISSORS: HERKULES SAFETY ORANGE  
PEDESTAL: HERKULES SAFETY ORANGE
- SAFETY FEATURES:** PRESSURE RELIEF VALVE - QTY 1  
CHECK VALVE - QTY 1  
INTERNAL MAINTENANCE STOP BOLT - QTY 1
- WEIGHT SHIPPED:** 730 LBS (APPROXIMATE)

THE NEED FOR SAFETY DEVICES VARIES WITH EACH APPLICATION OF THIS PRODUCT THIS DRAWING MAY NOT INCLUDE ALL APPROPRIATE SAFETY DEVICES FOR YOUR APPLICATION.  
NOTE: SOME DETAILS ARE NOT INCLUDED ON THIS DRAWING FOR MORE DETAILED SPECIFICATIONS, PLEASE INQUIRE.  
**PROPRIETARY**  
THE INFORMATION CONTAINED ON THIS DRAWING IS PROPRIETARY. IT IS THE SOLE PROPERTY OF HERKULES EQUIPMENT CORPORATION. ANY REPRODUCTION IN PART OR AS A WHOLE WITHOUT THE WRITTEN PERMISSION OF HERKULES EQUIPMENT CORPORATION IS PROHIBITED AND MAY BE UNLAWFUL.

TOLERANCES UNLESS OTHERWISE NOTED  
X ± .250  
XX ± .125  
XXX ± 0.030  
XXXX ± 0.0050  
ANGLE ± 1°

DRN: TEP  
DATE: 5-20-16

2760 RIDGEWAY COURT • WALLLED LAKE, MI 48390-1662 • www.enkon.pro

DESCRIPTION: LIFT SCISSOR AIR

PART NO.: LSA37-XX-29-3647

CHD BY:      DWG NO.: 20161619      REV:      SHEET: 1 of 1