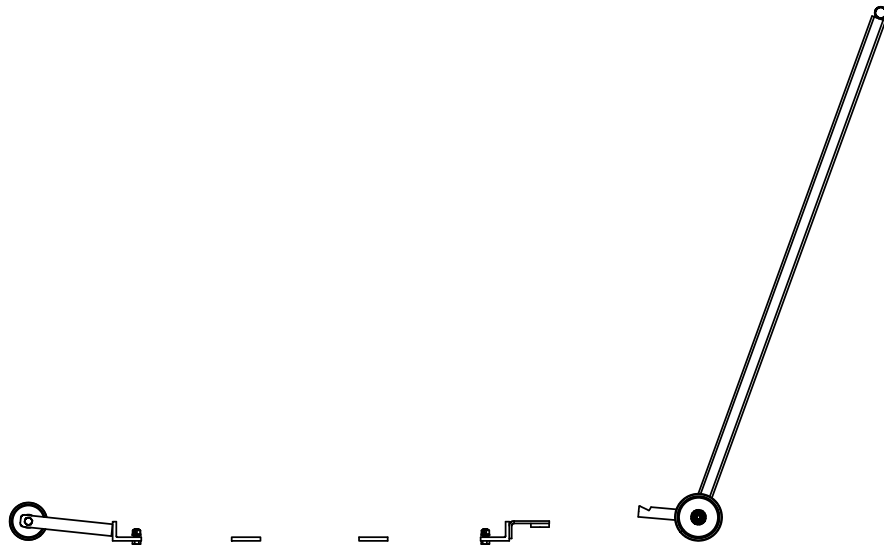
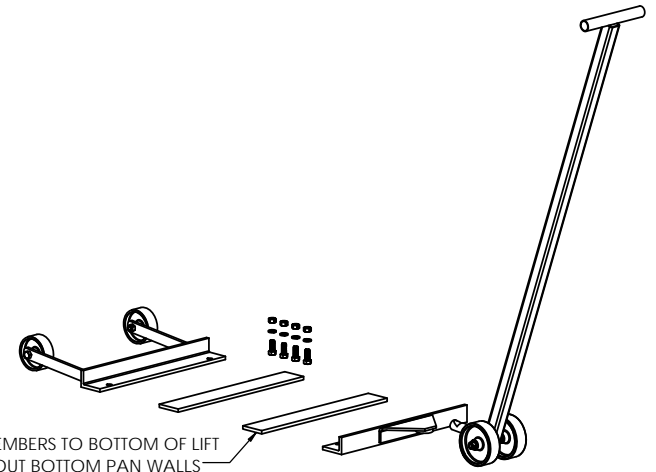
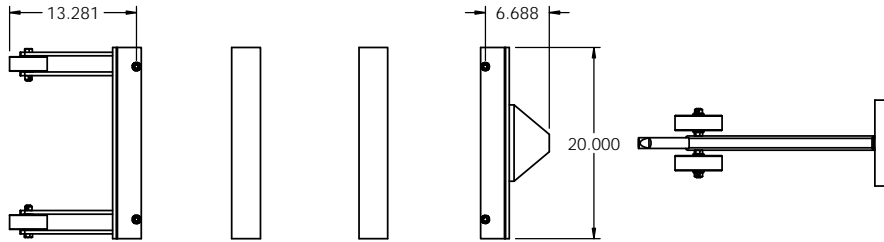


PART #: 13822



SPECIFICATIONS - STANDARD

CAPACITY: 1,000 - 3,000 LBS
 COMPATIBILITY: LIFT: ALS04
 TILT: ATSO8, ATSO9
 LIFT & TILT: ALTS12, ALTS13
 COLOR: HERKULES SAFETY ORANGE
 SAFETY FEATURES: NONE
 WEIGHT: 57 LBS (APPROXIMATE)

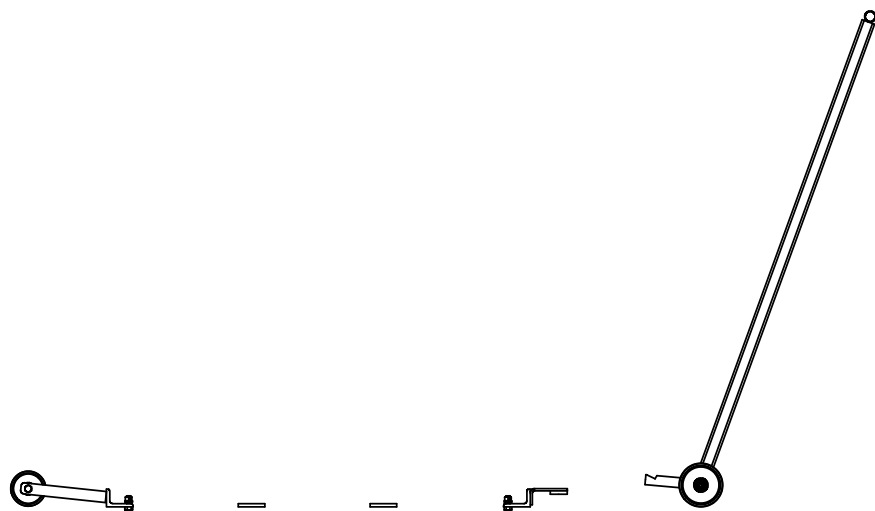
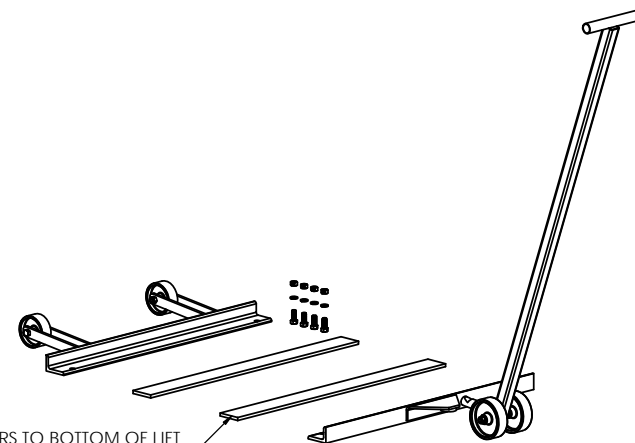
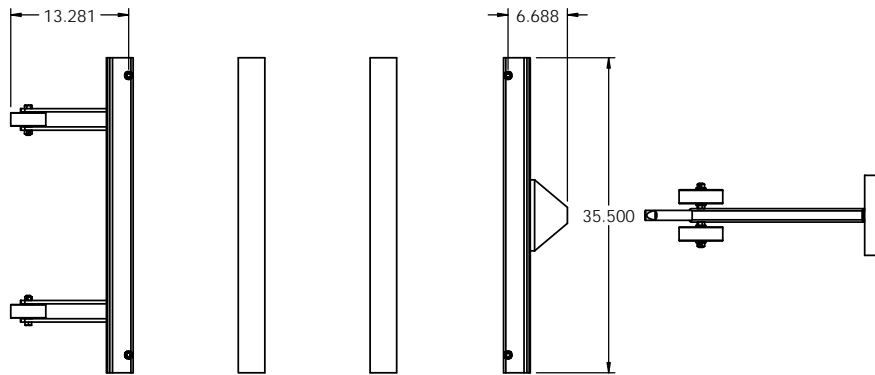
THE NEED FOR SAFETY DEVICES VARIES WITH EACH APPLICATION OF THIS PRODUCT THIS DRAWING MAY NOT INCLUDE ALL APPROPRIATE SAFETY DEVICES FOR YOUR APPLICATION.
 NOTE: SOME DETAILS ARE NOT INCLUDED ON THIS DRAWING FOR MORE DETAILED SPECIFICATIONS, PLEASE INQUIRE
PROPRIETARY
 THE INFORMATION CONTAINED ON THIS DRAWING IS PROPRIETARY. IT IS THE SOLE PROPERTY OF HERKULES EQUIPMENT CORPORATION. ANY REPRODUCTION IN PART OR AS A WHOLE WITHOUT THE WRITTEN PERMISSION OF HERKULES EQUIPMENT CORPORATION IS PROHIBITED AND MAY BE UNLAWFUL.

TOLERANCES UNLESS OTHERWISE NOTED
 X ± .250
 .XX ± .125
 .XXX ± 0.030
 .XXXX ± 0.0050
 ANGLE ± 1°

DESCRIPTION: PORTABLE DOLLY HANDLE

| | |
|-------------------|-----------------|
| DRN: BKH | PART NO.: 13822 |
| DATE: 12/2/16 | CHD BY: [] |
| DWG NO.: 02095776 | REV: [] |
| SHEET: 1 of 1 | |

PART #: 13761



SPECIFICATIONS - STANDARD

CAPACITY: 1,000 - 6,000 LBS
 COMPATIBILITY: LIFT: ALS01, ALS02, ALS03
 TILT: ATSO6, ATSO7
 LIFT & TILT: ALTS10, ALTS11, ALTS14, ALTS15
 COLOR: HERKULES SAFETY ORANGE
 SAFETY FEATURES: NONE
 WEIGHT: 82 LBS (APPROXIMATE)

THE NEED FOR SAFETY DEVICES VARIES WITH EACH APPLICATION OF THIS PRODUCT THIS DRAWING MAY NOT INCLUDE ALL APPROPRIATE SAFETY DEVICES FOR YOUR APPLICATION.

NOTE: SOME DETAILS ARE NOT INCLUDED ON THIS DRAWING FOR MORE DETAILED SPECIFICATIONS, PLEASE INQUIRE

PROPRIETARY

THE INFORMATION CONTAINED ON THIS DRAWING IS PROPRIETARY. IT IS THE SOLE PROPERTY OF HERKULES EQUIPMENT CORPORATION. ANY REPRODUCTION IN PART OR AS A WHOLE WITHOUT THE WRITTEN PERMISSION OF HERKULES EQUIPMENT CORPORATION IS PROHIBITED AND MAY BE UNLAWFUL.

TOLERANCES UNLESS OTHERWISE NOTED
 X ± .250
 .XX ± .125
 .XXX ± 0.030
 .XXXX ± 0.0050
 ANGLE ± 1°



DESCRIPTION: PORTABLE DOLLY HANDLE

| | |
|-------------------|-----------------|
| DRN: BKH | PART NO.: 13761 |
| DATE: 12/2/16 | CHKD BY: _____ |
| DWG NO.: 02085673 | REV: _____ |
| SHEET: 1 of 1 | |