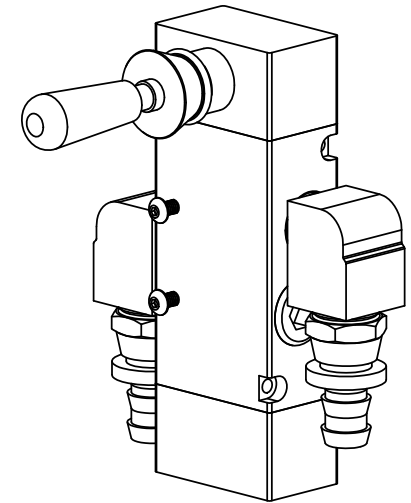
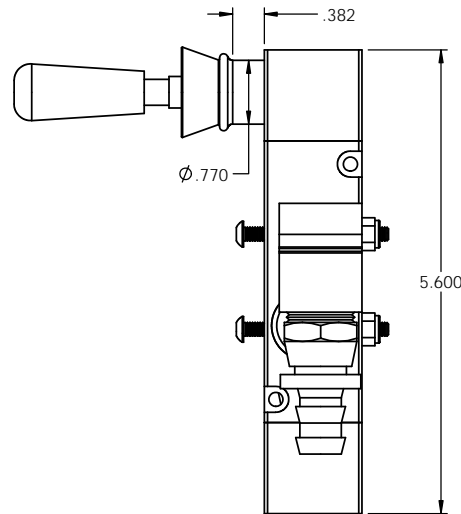
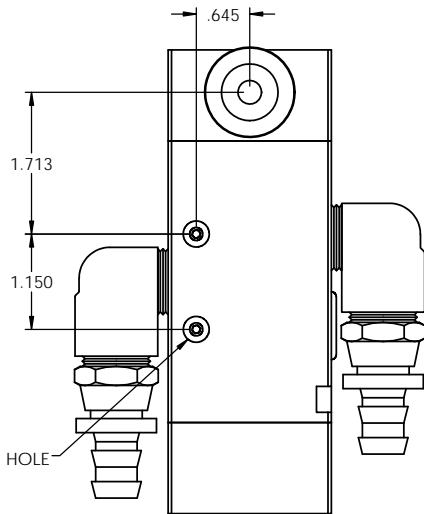
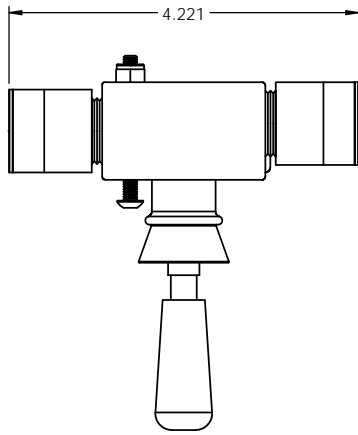



PART #: 12086



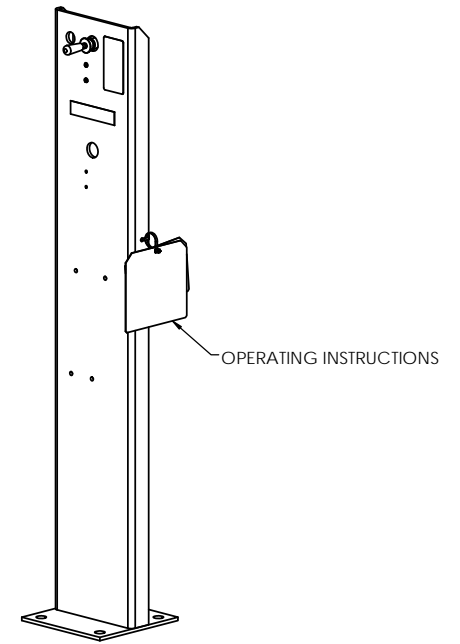
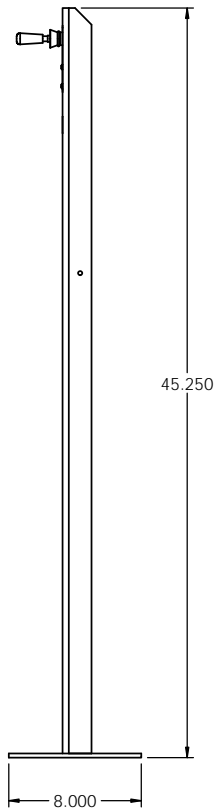
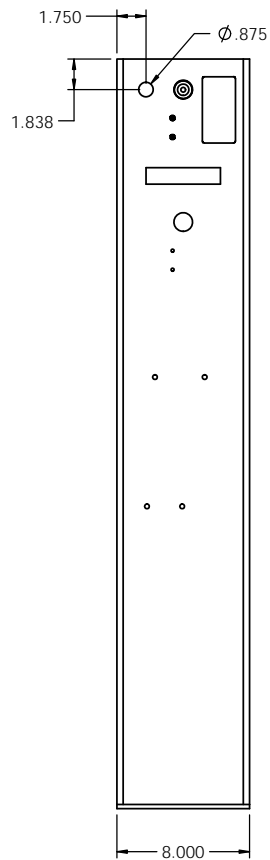
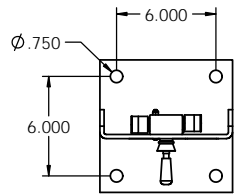
SPECIFICATIONS - STANDARD

CAPACITY: NONE
 COMPATIBILITY: LIFT: ALL
 TILT: ALL
 LIFT & TILT: ALL
 COLOR: NONE
 SAFETY FEATURES: SPRING RETURN VALVE
 WEIGHT: 2 LBS (APPROXIMATE)

NOTE:
 1. QTY 2 HAND VALVES NEEDED FOR ALTS MODELS

THE NEED FOR SAFETY DEVICES VARIES WITH EACH APPLICATION OF THIS PRODUCT THIS DRAWING MAY NOT INCLUDE ALL APPROPRIATE SAFETY DEVICES FOR YOUR APPLICATION. NOTE: SOME DETAILS ARE NOT INCLUDED ON THIS DRAWING FOR MORE DETAILED SPECIFICATIONS, PLEASE INQUIRE. PROPRIETARY THE INFORMATION CONTAINED ON THIS DRAWING IS PROPRIETARY. IT IS THE SOLE PROPERTY OF HERKULES EQUIPMENT CORPORATION. ANY REPRODUCTION IN PART OR AS A WHOLE WITHOUT THE WRITTEN PERMISSION OF HERKULES EQUIPMENT CORPORATION IS PROHIBITED AND MAY BE UNLAWFUL.		TOLERANCES UNLESS OTHERWISE NOTED .X ± .250 .XX ± .125 .XXX ± 0.030 .XXXX ± 0.0050 ANGLE ± 1°	 2760 RIDGEWAY COURT • WALLED LAKE, MI 48390-1662 • www.enkon.pro DESCRIPTION: HAND CONTROL VALVE
DRN: BKH DATE: 12/6/16	PART NO.: 12086 CHKD BY:	DWG NO.: 02053260	REV: SHEET: 1 of 1

PART # 12522



SPECIFICATIONS - STANDARD

CAPACITY: NONE
 COMPATIBILITY: LIFT: ALL
 TILT: ALL
 LIFT & TILT: NONE
 COLOR: HERKULES SAFETY ORANGE
 SAFETY FEATURES: SPRING RETURN VALVE
 WEIGHT: 41 LBS (APPROXIMATE)

THE NEED FOR SAFETY DEVICES VARIES WITH EACH APPLICATION OF THIS PRODUCT THIS DRAWING MAY NOT INCLUDE ALL APPROPRIATE SAFETY DEVICES FOR YOUR APPLICATION.

NOTE: SOME DETAILS ARE NOT INCLUDED ON THIS DRAWING FOR MORE DETAILED SPECIFICATIONS, PLEASE INQUIRE

PROPRIETARY

THE INFORMATION CONTAINED ON THIS DRAWING IS PROPRIETARY. IT IS THE SOLE PROPERTY OF HERKULES EQUIPMENT CORPORATION. ANY REPRODUCTION IN PART OR AS A WHOLE WITHOUT THE WRITTEN PERMISSION OF HERKULES EQUIPMENT CORPORATION IS PROHIBITED AND MAY BE UNLAWFUL.

TOLERANCES UNLESS OTHERWISE NOTED

X ± .250
 .XX ± .125
 .XXX ± 0.030
 .XXXX ± 0.0050
 ANGLE ± 1°



DESCRIPTION: **HAND PEDESTAL CONTROL VALVE**

DRN: **BKH**

PART NO.: **12522**

DATE: **12/9/16**

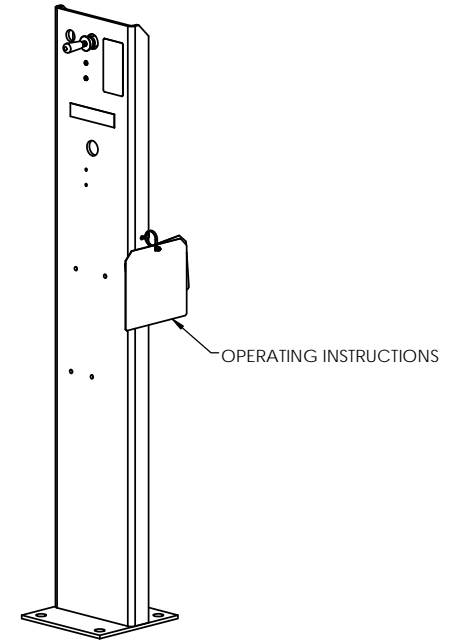
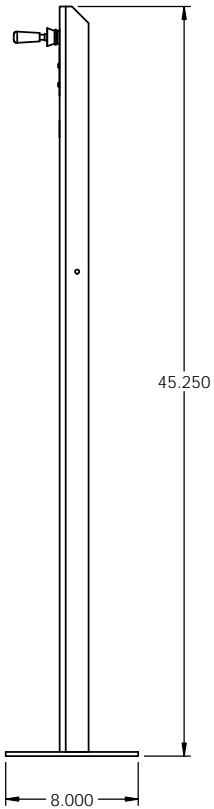
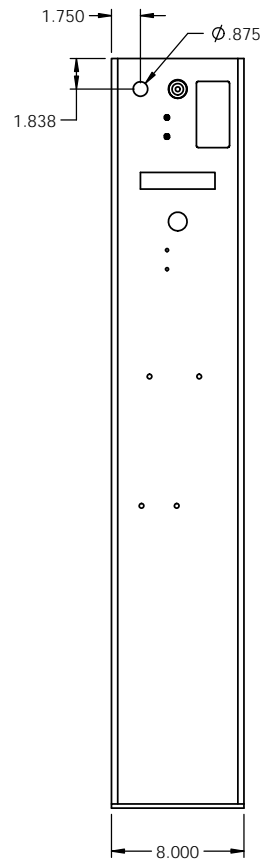
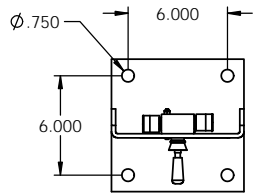
CHKD BY:

DWG NO.: **02074858**

REV:

SHEET: **1 of 1**

PART #: 13775



SPECIFICATIONS - STANDARD

CAPACITY: NONE
 COMPATIBILITY: LIFT: ALS05
 TILT: NONE
 LIFT & TILT: NONE
 COLOR: STAINLESS STEEL
 SAFETY FEATURES: SPRING RETURN VALVE
 WEIGHT: 41 LBS (APPROXIMATE)

THE NEED FOR SAFETY DEVICES VARIES WITH EACH APPLICATION OF THIS PRODUCT THIS DRAWING MAY NOT INCLUDE ALL APPROPRIATE SAFETY DEVICES FOR YOUR APPLICATION.

NOTE: SOME DETAILS ARE NOT INCLUDED ON THIS DRAWING FOR MORE DETAILED SPECIFICATIONS, PLEASE INQUIRE

PROPRIETARY

THE INFORMATION CONTAINED ON THIS DRAWING IS PROPRIETARY. IT IS THE SOLE PROPERTY OF HERKULES EQUIPMENT CORPORATION. ANY REPRODUCTION IN PART OR AS A WHOLE WITHOUT THE WRITTEN PERMISSION OF HERKULES EQUIPMENT CORPORATION IS PROHIBITED AND MAY BE UNLAWFUL.

TOLERANCES UNLESS OTHERWISE NOTED
 X ± .250
 .XX ± .125
 .XXX ± 0.030
 .XXXX ± 0.0050
 ANGLE ± 1°



DESCRIPTION: **HAND PEDESTAL CONTROL VALVE SS**

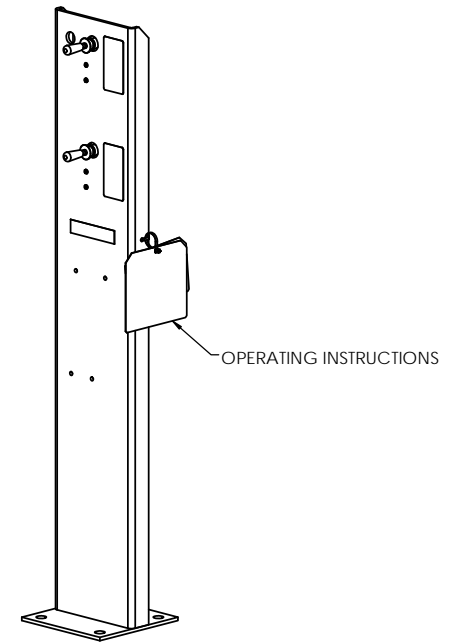
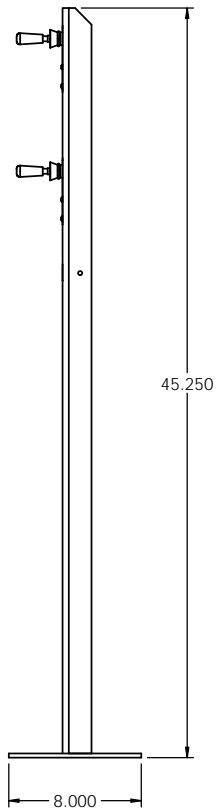
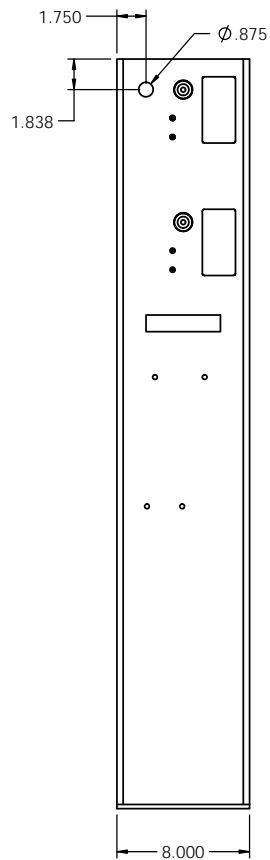
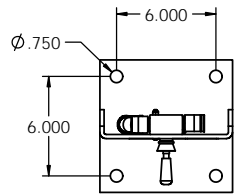
DRN: **BKH**
 DATE: **12/13/16**

PART NO.: **13775**

CHKD BY: _____ DWG NO.: **02085700**

REV: _____ SHEET: **1 of 1**

PART # 12347



SPECIFICATIONS - STANDARD

CAPACITY: NONE
 COMPATIBILITY: LIFT: NONE
 TILT: NONE
 LIFT & TILT: ALL
 COLOR: HERKULES SAFETY ORANGE
 SAFETY FEATURES: SPRING RETURN VALVES
 WEIGHT: 43 LBS (APPROXIMATE)

THE NEED FOR SAFETY DEVICES VARIES WITH EACH APPLICATION OF THIS PRODUCT THIS DRAWING MAY NOT INCLUDE ALL APPROPRIATE SAFETY DEVICES FOR YOUR APPLICATION.

NOTE: SOME DETAILS ARE NOT INCLUDED ON THIS DRAWING FOR MORE DETAILED SPECIFICATIONS, PLEASE INQUIRE

PROPRIETARY

THE INFORMATION CONTAINED ON THIS DRAWING IS PROPRIETARY. IT IS THE SOLE PROPERTY OF HERKULES EQUIPMENT CORPORATION. ANY REPRODUCTION IN PART OR AS A WHOLE WITHOUT THE WRITTEN PERMISSION OF HERKULES EQUIPMENT CORPORATION IS PROHIBITED AND MAY BE UNLAWFUL.

TOLERANCES UNLESS OTHERWISE NOTED

X ± .250
 .XX ± .125
 .XXX ± 0.030
 .XXXX ± 0.0050
 ANGLE ± 1°



DESCRIPTION: **HAND PEDESTAL CONTROL VALVES FOR LIFT AND TILT**

DRN: BKH

PART NO.: 12347

DATE: 12/9/16

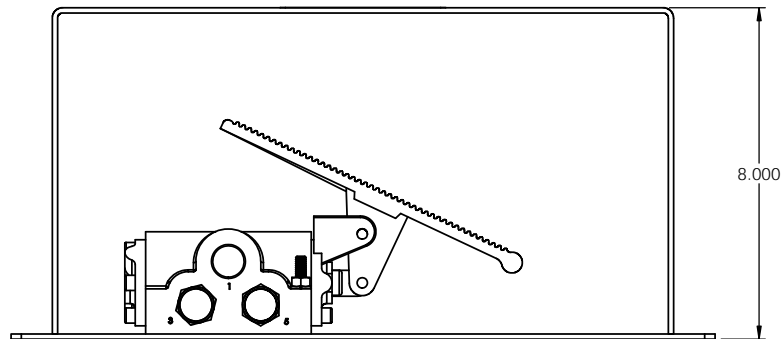
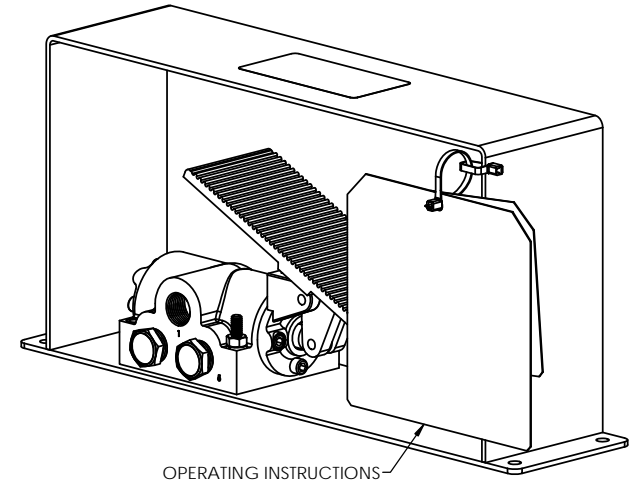
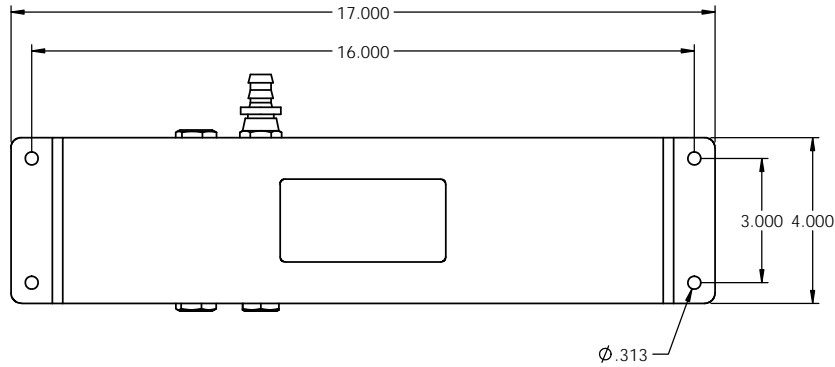
CHKD BY:

DWG NO.: 02063621

REV:

SHEET: 1 of 1

PART #: 12169



SPECIFICATIONS - STANDARD

CAPACITY: NONE
 COMPATIBILITY: LIFT: ALL
 TILT: ALL
 LIFT & TILT: NONE
 COLOR: HERKULES SAFETY ORANGE
 SAFETY FEATURES: SPRING RETURN VALVE
 WEIGHT: 18 LBS (APPROXIMATE)

THE NEED FOR SAFETY DEVICES VARIES WITH EACH APPLICATION OF THIS PRODUCT THIS DRAWING MAY NOT INCLUDE ALL APPROPRIATE SAFETY DEVICES FOR YOUR APPLICATION.
 NOTE: SOME DETAILS ARE NOT INCLUDED ON THIS DRAWING FOR MORE DETAILED SPECIFICATIONS, PLEASE INQUIRE
PROPRIETARY
 THE INFORMATION CONTAINED ON THIS DRAWING IS PROPRIETARY. IT IS THE SOLE PROPERTY OF HERKULES EQUIPMENT CORPORATION. ANY REPRODUCTION IN PART OR AS A WHOLE WITHOUT THE WRITTEN PERMISSION OF HERKULES EQUIPMENT CORPORATION IS PROHIBITED AND MAY BE UNLAWFUL.

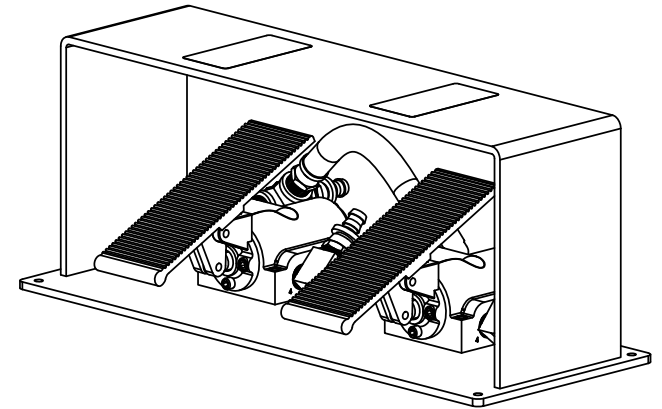
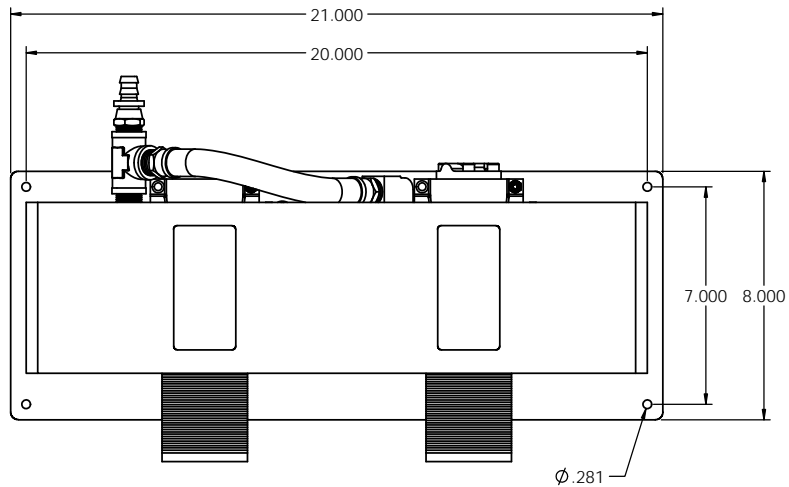
TOLERANCES UNLESS OTHERWISE NOTED
 X ± .250
 .XX ± .125
 .XXX ± 0.030
 .XXXX ± 0.0050
 ANGLE ± 1°



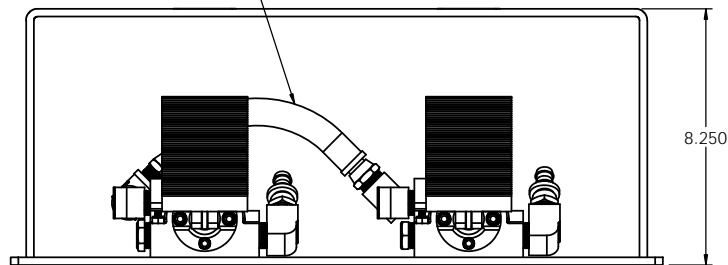
DESCRIPTION: FOOT PEDAL CONTROL VALVE

DRN: BKH	PART NO.: 12169
DATE: 12/9/16	CHD BY: DWG NO.: 02053375 REV: SHEET: 1 of 1

PART #: 13752



DO NOT KINK HOSE IF NEEDLE VALVE NEEDS TO BE INSTALLED



SPECIFICATIONS - STANDARD

CAPACITY: NONE
 COMPATIBILITY: LIFT: NONE
 TILT: NONE
 LIFT & TILT: ALL
 COLOR: NONE
 SAFETY FEATURES: SPRING RETURN VALVES
 WEIGHT: 50 LBS (APPROXIMATE)

THE NEED FOR SAFETY DEVICES VARIES WITH EACH APPLICATION OF THIS PRODUCT THIS DRAWING MAY NOT INCLUDE ALL APPROPRIATE SAFETY DEVICES FOR YOUR APPLICATION.

NOTE: SOME DETAILS ARE NOT INCLUDED ON THIS DRAWING FOR MORE DETAILED SPECIFICATIONS, PLEASE INQUIRE

PROPRIETARY

THE INFORMATION CONTAINED ON THIS DRAWING IS PROPRIETARY. IT IS THE SOLE PROPERTY OF HERKULES EQUIPMENT CORPORATION. ANY REPRODUCTION IN PART OR AS A WHOLE WITHOUT THE WRITTEN PERMISSION OF HERKULES EQUIPMENT CORPORATION IS PROHIBITED AND MAY BE UNLAWFUL.

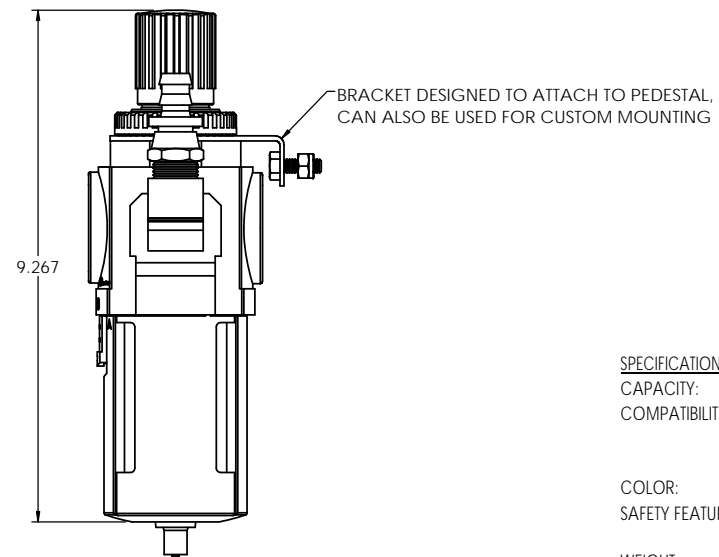
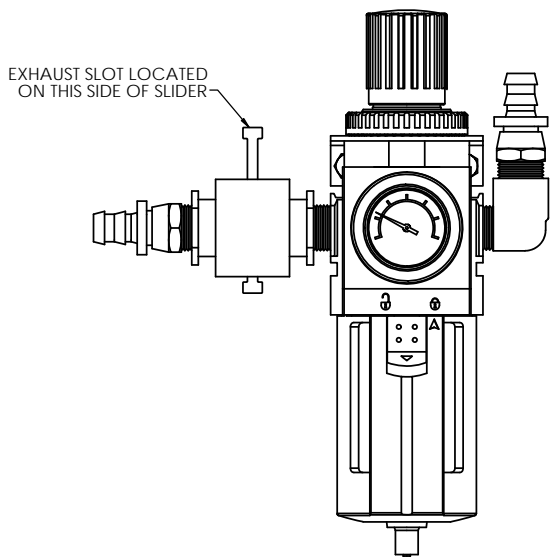
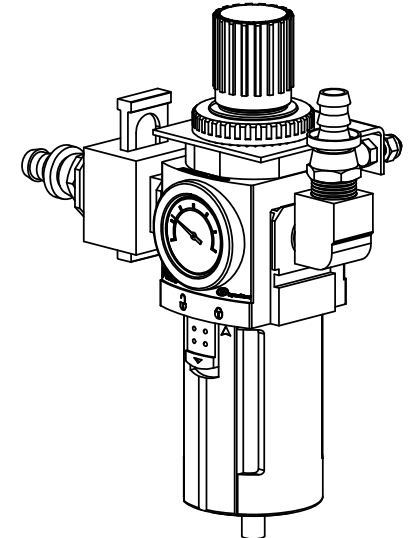
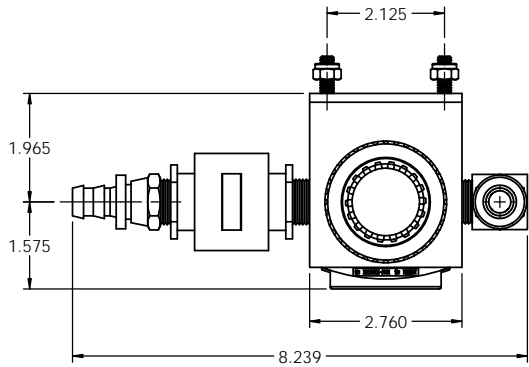
TOLERANCES UNLESS OTHERWISE NOTED
 X ± .250
 XX ± .125
 XXX ± 0.030
 XXXX ± 0.0050
 ANGLE ± 1°



DESCRIPTION: FOOT PEDAL CONTROL VALVE FOR LIFT AND TILT

DRN: BKH	PART NO.: 13752
DATE: 12/9/16	CHD BY: _____
DWG NO.: 02085661	REV: _____
SHEET: 1 of 1	

PART #: 13657



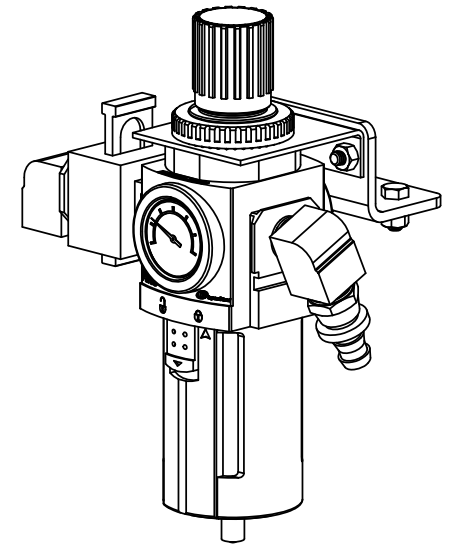
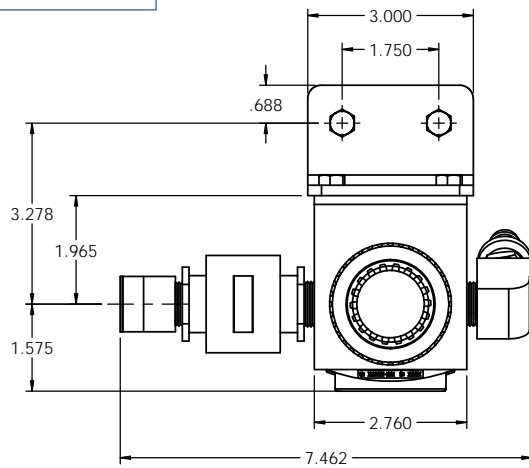
FLOW DIRECTION →

SPECIFICATIONS - STANDARD

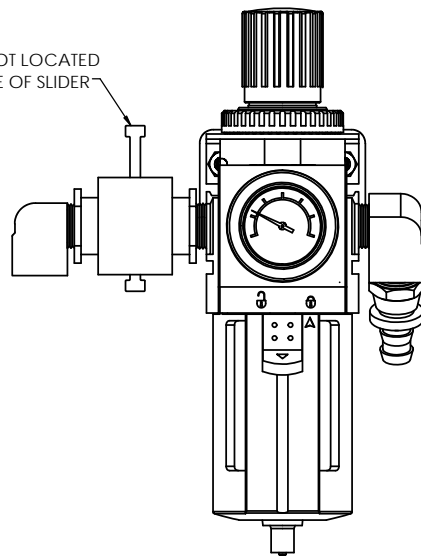
CAPACITY:	NONE
COMPATIBILITY:	LIFT: ALL TILT: ALL LIFT & TILT: ALL
COLOR:	NONE
SAFETY FEATURES:	LOCKOUT VALVE PRESSURE GAUGE
WEIGHT:	4 LBS (APPROXIMATE)

<p>THE NEED FOR SAFETY DEVICES VARIES WITH EACH APPLICATION OF THIS PRODUCT THIS DRAWING MAY NOT INCLUDE ALL APPROPRIATE SAFETY DEVICES FOR YOUR APPLICATION.</p> <p>NOTE: SOME DETAILS ARE NOT INCLUDED ON THIS DRAWING FOR MORE DETAILED SPECIFICATIONS, PLEASE INQUIRE</p> <p>PROPRIETARY</p> <p>THE INFORMATION CONTAINED ON THIS DRAWING IS PROPRIETARY. IT IS THE SOLE PROPERTY OF HERKULES EQUIPMENT CORPORATION. ANY REPRODUCTION IN PART OR AS A WHOLE WITHOUT THE WRITTEN PERMISSION OF HERKULES EQUIPMENT CORPORATION IS PROHIBITED AND MAY BE UNLAWFUL.</p>	<p>TOLERANCES UNLESS OTHERWISE NOTED</p> <p>X ± .250</p> <p>.XX ± .125</p> <p>.XXX ± 0.030</p> <p>.XXXX ± 0.0050</p> <p>ANGLE ± 1°</p>	<p>2760 RIDGEWAY COURT • WALLED LAKE, MI 48390-1662 • www.enkon.pro</p>	
		<p>DESCRIPTION: REGULATOR FILTER GAUGE W/ LOCKOUT / TAG OUT</p>	
<p>DRN: BKH</p> <p>DATE: 12/9/16</p>	<p>PART NO.: 13657</p> <p>CHKD BY:</p>	<p>DWG NO.: 02085656</p>	<p>REV:</p> <p>SHEET: 1 of 1</p>

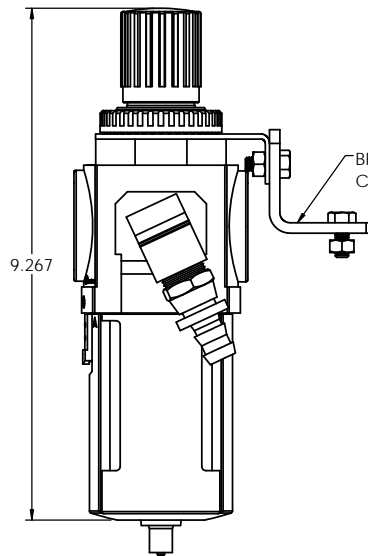
PART #: 16997



EXHAUST SLOT LOCATED ON THIS SIDE OF SLIDER



FLOW DIRECTION →



BRACKET DESIGNED TO ATTACH TO FOOT PEDAL ENCLOSURE, CAN ALSO BE USED FOR CUSTOM MOUNTING

SPECIFICATIONS - STANDARD

CAPACITY:	NONE
COMPATIBILITY:	LIFT: ALL
	TILT: ALL
	LIFT & TILT: ALL
COLOR:	NONE
SAFETY FEATURES:	LOCKOUT VALVE
	PRESSURE GAUGE
WEIGHT:	4 LBS (APPROXIMATE)

THE NEED FOR SAFETY DEVICES VARIES WITH EACH APPLICATION OF THIS PRODUCT THIS DRAWING MAY NOT INCLUDE ALL APPROPRIATE SAFETY DEVICES FOR YOUR APPLICATION.

NOTE: SOME DETAILS ARE NOT INCLUDED ON THIS DRAWING FOR MORE DETAILED SPECIFICATIONS, PLEASE INQUIRE

PROPRIETARY

THE INFORMATION CONTAINED ON THIS DRAWING IS PROPRIETARY. IT IS THE SOLE PROPERTY OF HERKULES EQUIPMENT CORPORATION. ANY REPRODUCTION IN PART OR AS A WHOLE WITHOUT THE WRITTEN PERMISSION OF HERKULES EQUIPMENT CORPORATION IS PROHIBITED AND MAY BE UNLAWFUL.

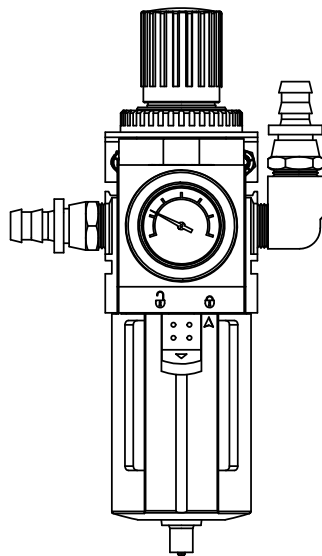
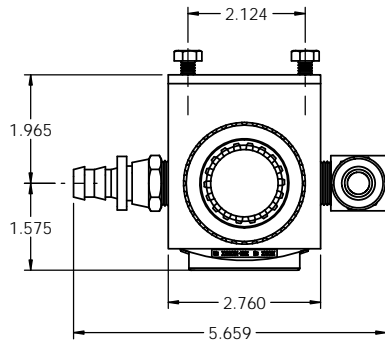
TOLERANCES UNLESS OTHERWISE NOTED
 X ± .250
 .XX ± .125
 .XXX ± 0.030
 .XXXX ± 0.0050
 ANGLE ± 1°



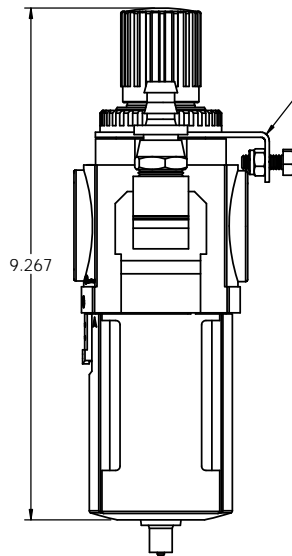
DESCRIPTION: REGULATOR FILTER GAUGE W/ LOCKOUT / TAG OUT

DRN: BKH	PART NO.: 16997
DATE: 12/13/16	CHKD BY: _____
DWG NO.: 20162086	REV: _____
SHEET: 1 of 1	

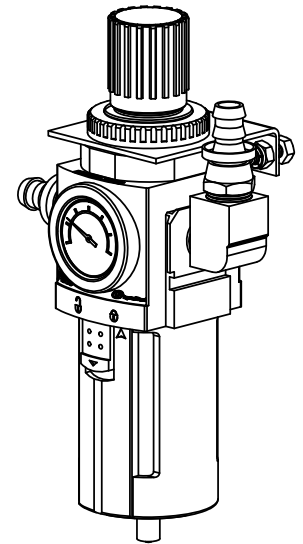
PART #: 13627



FLOW DIRECTION →



BRACKET DESIGNED TO ATTACH TO PEDESTAL,
CAN ALSO BE USED FOR CUSTOM MOUNTING



SPECIFICATIONS - STANDARD

CAPACITY: NONE
 COMPATIBILITY: LIFT: ALL
 TILT: ALL
 LIFT & TILT: ALL
 COLOR: NONE
 SAFETY FEATURES: PRESSURE GAUGE
 WEIGHT: 4 LBS (APPROXIMATE)

THE NEED FOR SAFETY DEVICES VARIES WITH EACH APPLICATION OF THIS PRODUCT THIS DRAWING MAY NOT INCLUDE ALL APPROPRIATE SAFETY DEVICES FOR YOUR APPLICATION.

NOTE: SOME DETAILS ARE NOT INCLUDED ON THIS DRAWING FOR MORE DETAILED SPECIFICATIONS, PLEASE INQUIRE

PROPRIETARY

THE INFORMATION CONTAINED ON THIS DRAWING IS PROPRIETARY. IT IS THE SOLE PROPERTY OF HERKULES EQUIPMENT CORPORATION. ANY REPRODUCTION IN PART OR AS A WHOLE WITHOUT THE WRITTEN PERMISSION OF HERKULES EQUIPMENT CORPORATION IS PROHIBITED AND MAY BE UNLAWFUL.

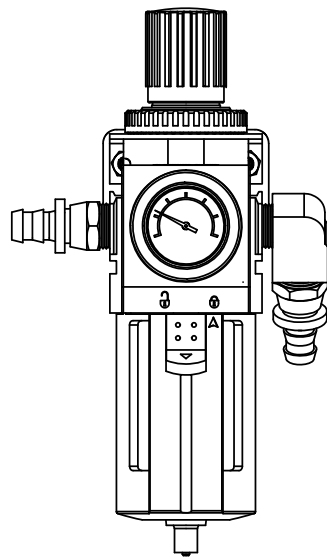
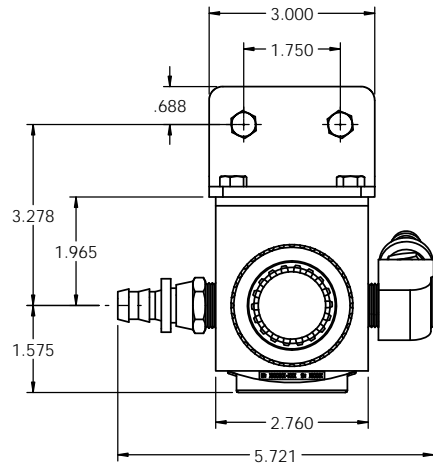
TOLERANCES
UNLESS OTHERWISE NOTED
 X ± .250
 XX ± .125
 XXX ± 0.030
 XXXX ± 0.0050
 ANGLE ± 1°



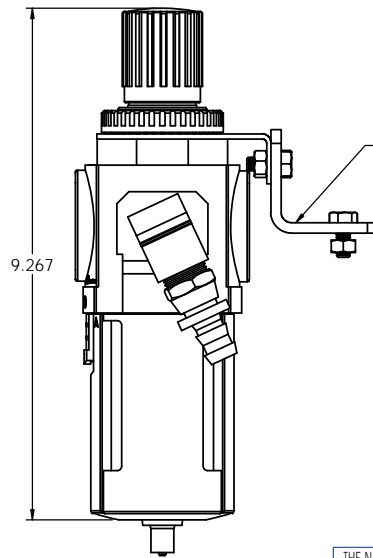
DESCRIPTION: REGULATOR FILTER GAUGE

DRN: BKH	PART NO.: 13627
DATE: 12/9/16	CHD BY: DWG NO.: 02085655 REV: SHEET: 1 of 1

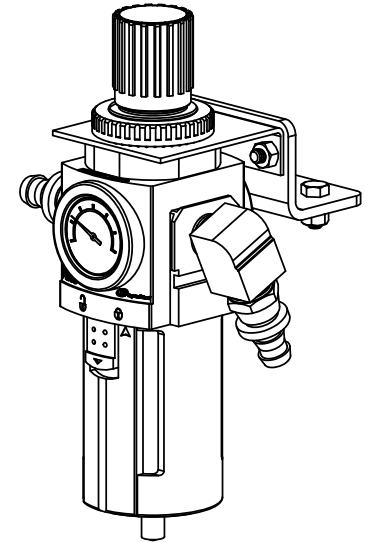
PART #: 16999



FLOW DIRECTION →



BRACKET DESIGNED TO ATTACH TO FOOT PEDAL ENCLOSURE. CAN ALSO BE USED FOR CUSTOM MOUNTING.



SPECIFICATIONS - STANDARD

CAPACITY: NONE
 COMPATIBILITY: LIFT: ALL
 TILT: ALL
 LIFT & TILT: ALL
 COLOR: NONE
 SAFETY FEATURES: PRESSURE GAUGE
 WEIGHT: 3 LBS (APPROXIMATE)

THE NEED FOR SAFETY DEVICES VARIES WITH EACH APPLICATION OF THIS PRODUCT THIS DRAWING MAY NOT INCLUDE ALL APPROPRIATE SAFETY DEVICES FOR YOUR APPLICATION.
 NOTE: SOME DETAILS ARE NOT INCLUDED ON THIS DRAWING FOR MORE DETAILED SPECIFICATIONS, PLEASE INQUIRE
PROPRIETARY
 THE INFORMATION CONTAINED ON THIS DRAWING IS PROPRIETARY. IT IS THE SOLE PROPERTY OF HERKULES EQUIPMENT CORPORATION. ANY REPRODUCTION IN PART OR AS A WHOLE WITHOUT THE WRITTEN PERMISSION OF HERKULES EQUIPMENT CORPORATION IS PROHIBITED AND MAY BE UNLAWFUL.

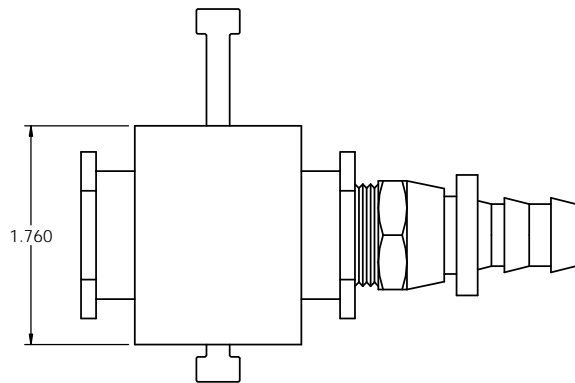
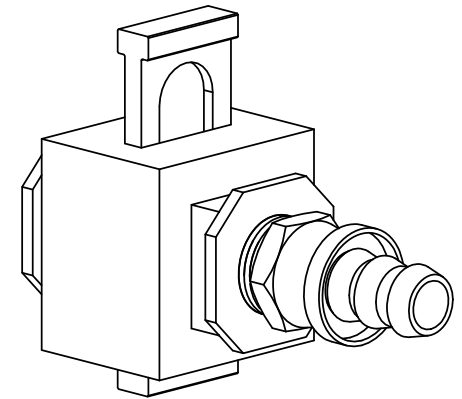
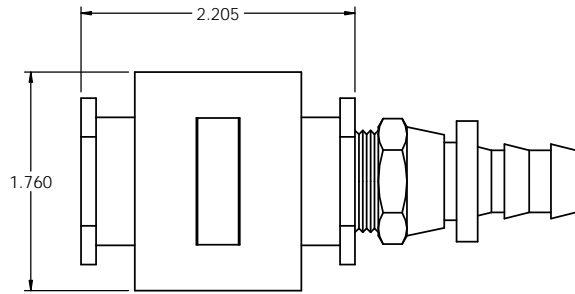
TOLERANCES UNLESS OTHERWISE NOTED
 X ± .250
 .XX ± .125
 .XXX ± 0.030
 .XXXX ± 0.0050
 ANGLE ± 1°

2760 RIDGEWAY COURT • WALLED LAKE, MI 48390-1662 • www.enkon.pro

DESCRIPTION: REGULATOR FILTER GAUGE

DRN: BKH	PART NO.: 16999
DATE: 12/13/16	CHD BY: DWG NO.: 20162087 REV: SHEET: 1 of 1

PART #: 13628



SPECIFICATIONS - STANDARD

CAPACITY: NONE
 COMPATIBILITY: LIFT: ALL
 TILT: ALL
 LIFT & TILT: ALL
 COLOR: NONE
 SAFETY FEATURES: LOCKOUT VALVE
 WEIGHT: 1 LB (APPROXIMATE)

THE NEED FOR SAFETY DEVICES VARIES WITH EACH APPLICATION OF THIS PRODUCT THIS DRAWING MAY NOT INCLUDE ALL APPROPRIATE SAFETY DEVICES FOR YOUR APPLICATION.

NOTE: SOME DETAILS ARE NOT INCLUDED ON THIS DRAWING FOR MORE DETAILED SPECIFICATIONS, PLEASE INQUIRE

PROPRIETARY

THE INFORMATION CONTAINED ON THIS DRAWING IS PROPRIETARY. IT IS THE SOLE PROPERTY OF HERKULES EQUIPMENT CORPORATION. ANY REPRODUCTION IN PART OR AS A WHOLE WITHOUT THE WRITTEN PERMISSION OF HERKULES EQUIPMENT CORPORATION IS PROHIBITED AND MAY BE UNLAWFUL.

TOLERANCES
 UNLESS OTHERWISE NOTED
 X ± .250
 .XX ± .125
 .XXX ± 0.030
 .XXXX ± 0.0050
 ANGLE ± 1°



DESCRIPTION: LOCKOUT / TAG OUT

DRN: BKH	PART NO.: 13628
DATE: 12/9/16	CHGD BY: _____
DWG NO.: 02095784	REV: _____
SHEET: 1 of 1	