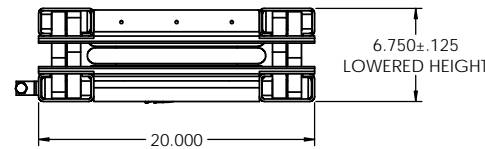
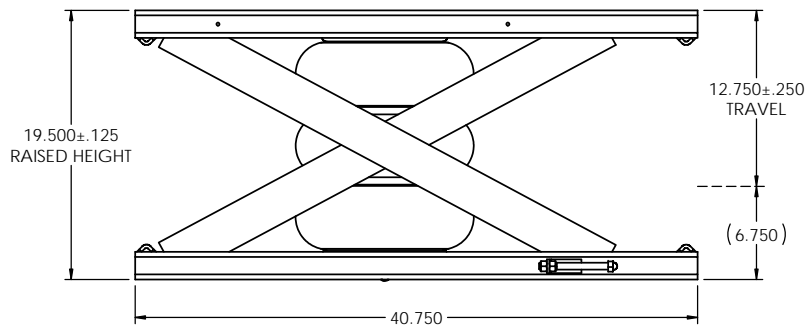
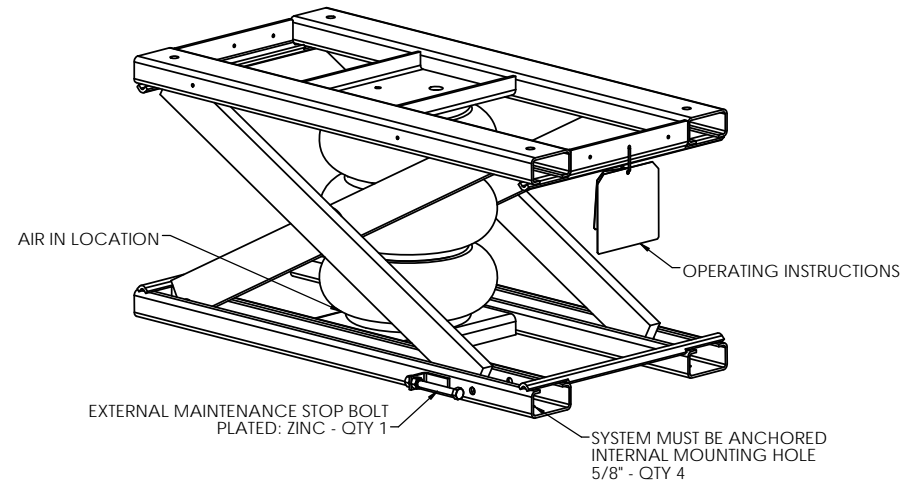
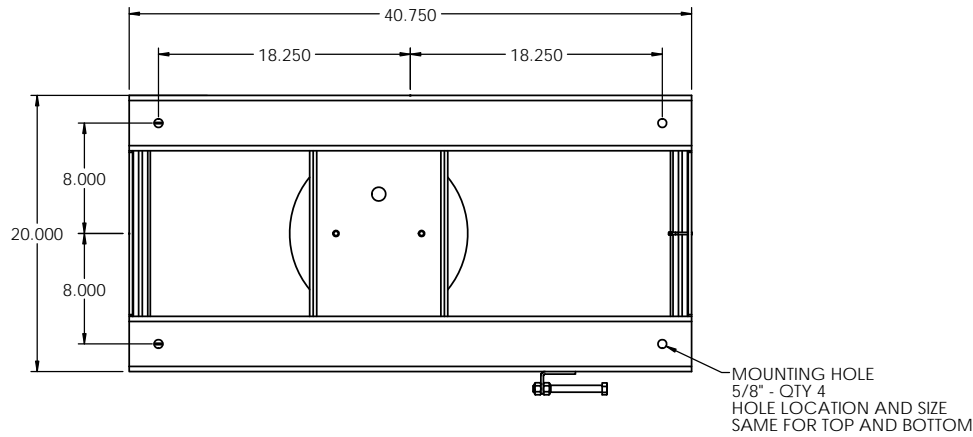


PART #: ALS04-XX-20-2041



SPECIFICATIONS - STANDARD

- CAPACITY: 1,000 - 3,000 LBS
ALL LOADS MUST BE EVENLY DISTRIBUTED
LIFT MAY NOT RAISE TO FULL HEIGHT
WITH MAXIMUM CAPACITY LOAD
- CONTROLLER: OPTIONAL
CONTROLLER MOUNT: OPTIONAL
INTERNAL VALVE: NONE
AIR FEED LINE: 1/2" MINIMUM
AIR PRESSURE: 70 - 100 PSI
CONTROLLER HOSE: 12 FEET
SKIRT: OPTIONAL
(ADD 3-1/2 INCHES PER SIDE TO BASE
OF LIFT DIMENSIONS FOR SKIRTING)
- COLOR: LIFT: HERKULES SAFETY ORANGE
SCISSORS: HERKULES SAFETY WHITE
- SAFETY FEATURES: PRESSURE RELIEF VALVE - QTY 1
CHECK VALVE - OPTIONAL
EXTERNAL MAINTENANCE STOP BOLT - QTY 1
- WEIGHT SHIPPED: 290 LBS (APPROXIMATE)

THE NEED FOR SAFETY DEVICES VARIES WITH EACH APPLICATION OF THIS PRODUCT THIS DRAWING MAY NOT INCLUDE ALL APPROPRIATE SAFETY DEVICES FOR YOUR APPLICATION.

NOTE: SOME DETAILS ARE NOT INCLUDED ON THIS DRAWING FOR MORE DETAILED SPECIFICATIONS, PLEASE INQUIRE

PROPRIETARY

THE INFORMATION CONTAINED ON THIS DRAWING IS PROPRIETARY. IT IS THE SOLE PROPERTY OF HERKULES EQUIPMENT CORPORATION. ANY REPRODUCTION IN PART OR AS A WHOLE WITHOUT THE WRITTEN PERMISSION OF HERKULES EQUIPMENT CORPORATION IS PROHIBITED AND MAY BE UNLAWFUL

TOLERANCES
UNLESS OTHERWISE NOTED
X ± .250
XX ± .125
XXX ± 0.030
XXXX ± 0.0050
ANGLE ± 1°



DESCRIPTION: A-SERIES LIFT SCISSOR

DRN: TEP	PART NO.: ALS04-XX-20-2041
DATE: 7-1-16	CHKD BY: _____
DWG NO.: 20161933	REV: _____
SHEET: 1 of 1	